

Slide Motion 8 mm



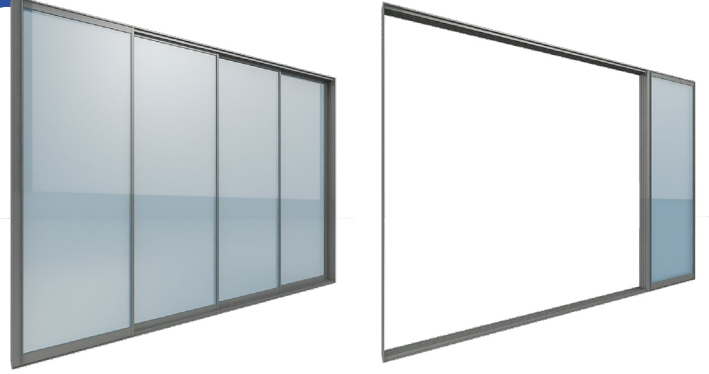


Slide Motion

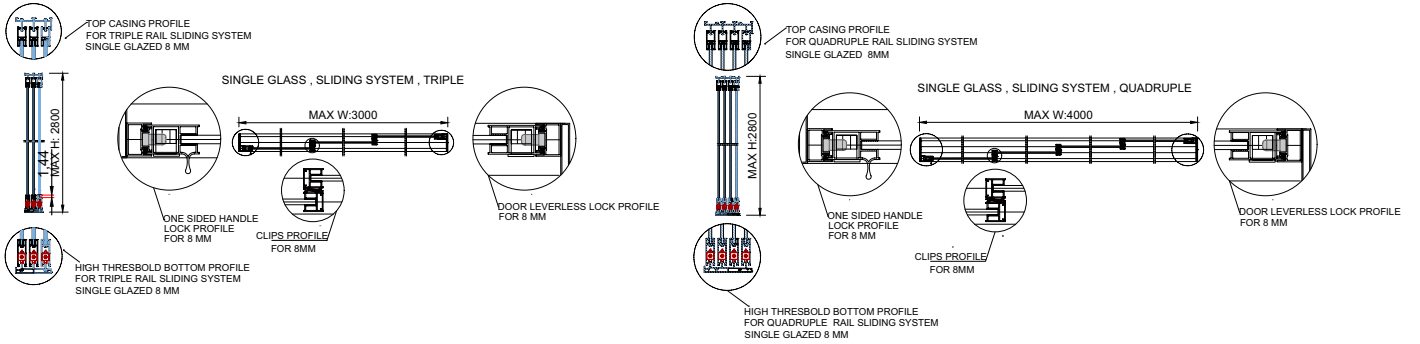
8 mm

Dimensions in mm Boyutlar mm

SlideMotion can be designed with or without threshold, with its design that does not allow narrowing in the areas where it is applied thanks to its glasses that move horizontally. Providing heat and sound insulation thanks to the bristle wick and PVC wick channels on the wing profiles, SlideMotion also offers easy cleaning thanks to the independent movement of its wings.

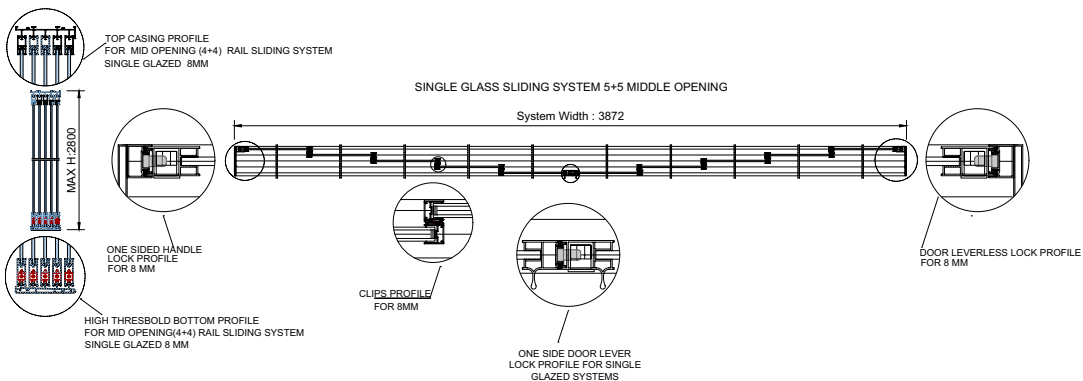
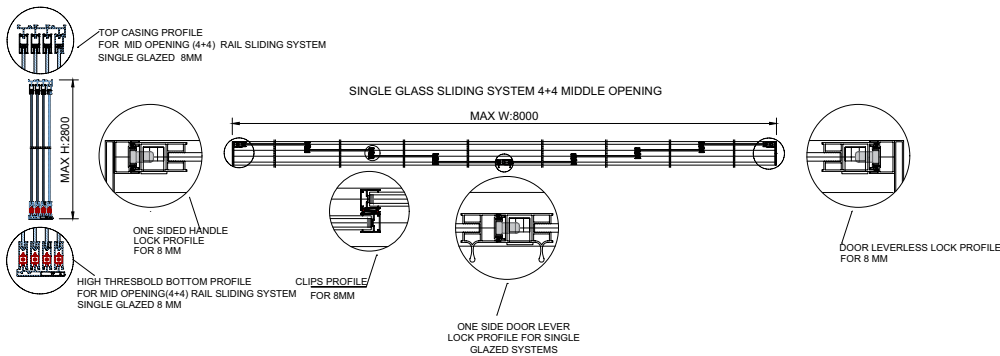
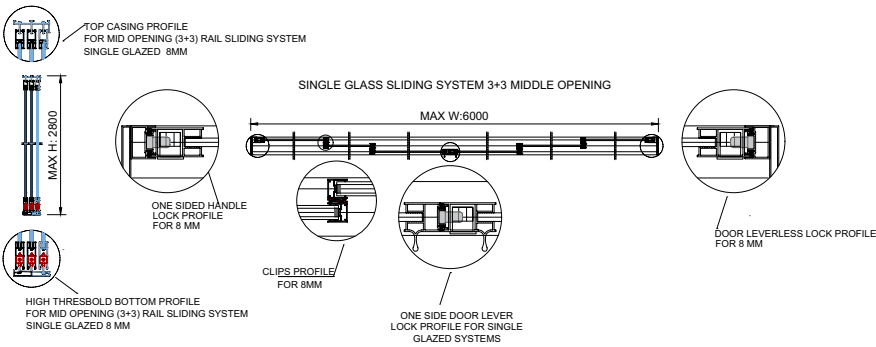
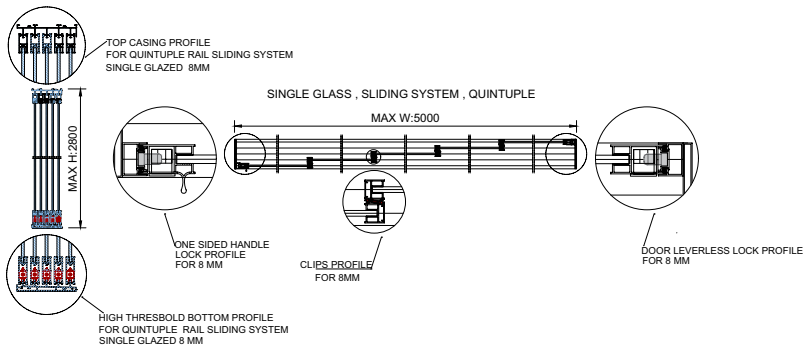


Yatay bir şekilde hareket eden camları sayesinde uygulandığı alanlarda daralmaya imkân vermeyen tasarımıyla SlideMotion, isteğe bağlı eşikli ya da eşiksiz olarak dizayn edilebilir bir tasarıma sahiptir. Kanat profillerinde bulunan kıl fitil ve pvc fitil kanalları sayesinde ısı ve ses yalıtımı sağlayan SlideMotion, kanatlarının bağımsız hareketi sayesinde kolay temizlik imkânı da sunar.



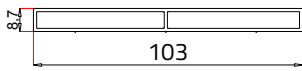
Prices for sliding glass systems are calculated in m².
Please contact your sale representative for more details.
if height is under 250 cm for sliding glass, its height is calculated as 250 cm.

Sürgülü cam sistemleri fiyatları m² olarak hesaplanmıştır.
Daha fazla bilgi için lütfen satış temsilcinize danışın.
Sürgülü cam yüksekliği 250 cm'nin altında ise yüksekliği 250 cm olarak hesaplanır.

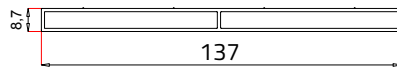


Slide Motion 8 mm Detail

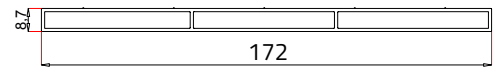
Dimensions in mm Boyutlar mm



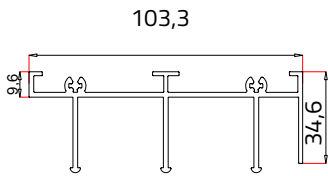
SIDE CASING PROFILE FOR TRIPLE RAIL SLIDE CODE: PA00165



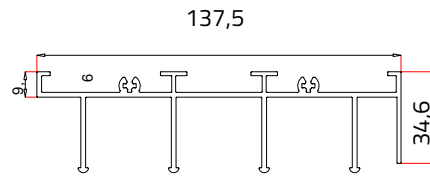
SIDE CASING PROFILE FOR QUADRUPLE RAIL SLIDE SYSTEM CODE: PA00168



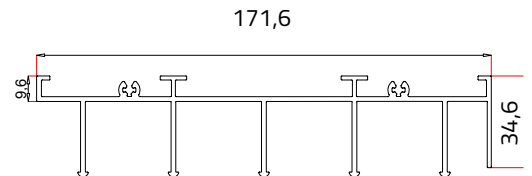
SIDE CASING PROFILE FOR QUINTUPLE RAIL SLIDE SYSTEM CODE: PA00171



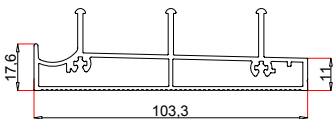
TOP CASING PROFILE FOR TRIPLE RAIL SLIDE SYSTEM CODE: PA00163



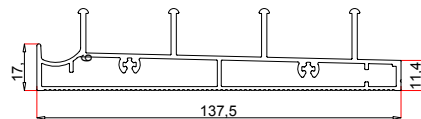
TOP CASING PROFILE FOR QUADRUPLE RAIL SLIDE SYSTEM CODE: PA00166



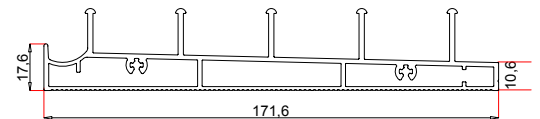
TOP CASING PROFILE FOR QUINTUPLE RAIL SLIDE SYSTEM CODE: PA00169



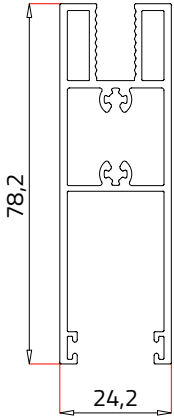
HIGH THRESHOLD BOTTOM PROFILE FOR TRIPLE SLIDE SYSTEM CODE: PA00164



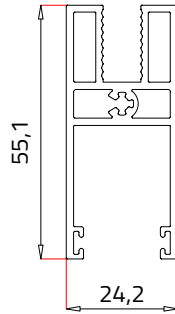
HIGH THRESHOLD BOTTOM PROFILE FOR QUADRUPLE RAIL SLIDE SYSTEM CODE: PA00167



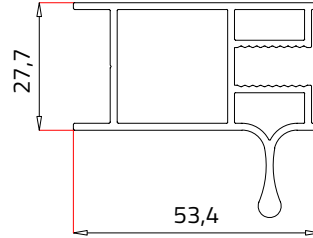
HIGH THRESHOLD BOTTOM PROFILE FOR QUINTUPLE RAIL SLIDE SYSTEM CODE: PA00171



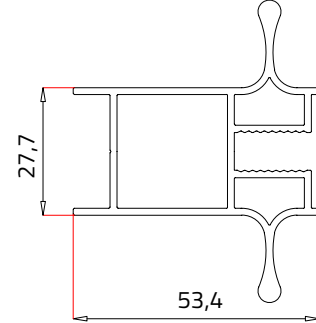
BOTTOM BASE
PROFILE FOR SINGLE
GLAZED SYSTEMS
CODE:PA00179



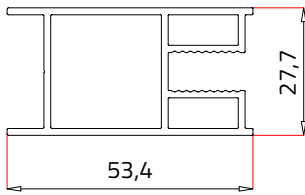
HIGH BASE PROFILE
FOR SINGLE GLAZED
SYSTEMS
CODE:PA00180



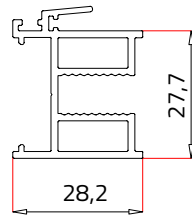
ONE SIDE DOOR
LEVER LOCK PROFILE
FOR SINGLE GLAZED
SYSTEMS
CODE:PA00174



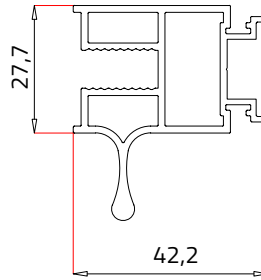
TWO SIDE DOOR
LEVER LOCK PROFILE
FOR SINGLE GLAZED
SYSTEMS
CODE:PA00174



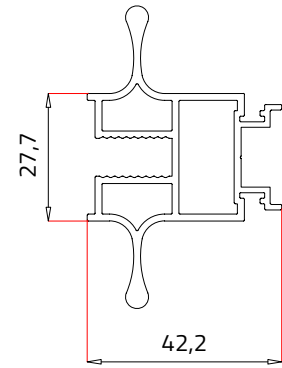
DOOR LEVERLESS
LOCK PROFILE FOR
SINGLE GLAZED
SYSTEMS
CODE:PA00177



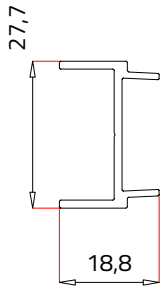
CLIP PROFILE FOR
SINGLE GLAZED
SYSTEMS
CODE:PA00178



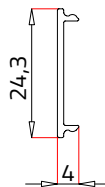
ONE SIDE DOOR
LEVER LOCK PROFILE
FOR SINGLE GLAZED
SYSTEMS
CODE:PA00174



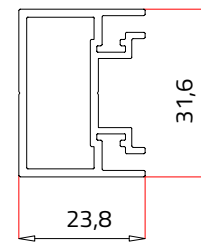
TWO SIDE DOOR
LEVER LOCK PROFILE
FOR SINGLE GLAZED
SYSTEMS
CODE:PA00176



LOCKING ADAPTOR
PROFILE
CODE : PA00182



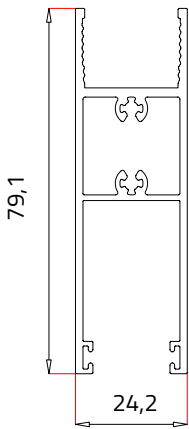
COVER FOR CLIPS
PROFILE
CODE : PA00181



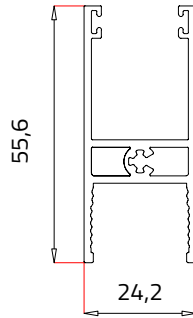
"U" PROFILE FOR
WALL CASING
PROFILE
CODE:PA00172

Slide Motion 8 mm Detail

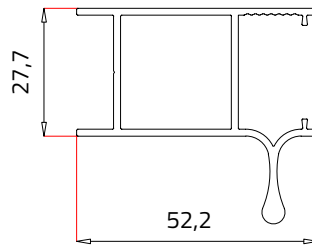
Dimensions in mm Boyutlar mm



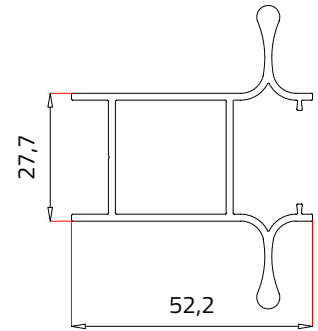
BOTTOM BASE
PROFILE FOR DOUBLE
GLAZED SYSTEMS
CODE:PA00189



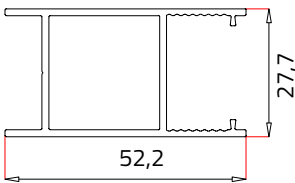
HIGH BASE PROFILE
FOR DOUBLE GLAZED
SYSTEMS
CODE:PA00190



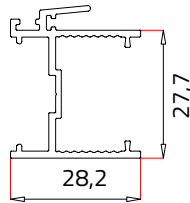
ONE SIDE DOOR
LEVER LOCK PROFILE
FOR DOUBLE GLAZED
SYSTEMS
CODE:PA00183



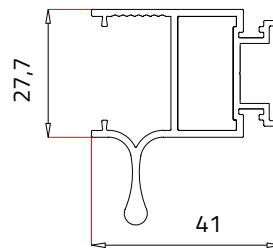
TWO SIDE DOOR
LEVER LOCK PROFILE
FOR DOUBLE GLAZED
SYSTEMS CODE:PA00185



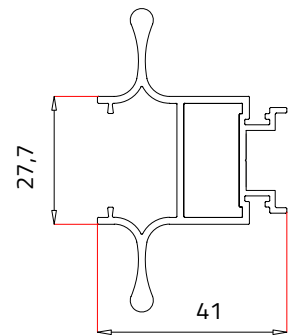
DOOR LEVERLESS
LOCK PROFILE FOR
DOUBLE GLAZED
SYSTEMS
CODE:PA00187



CLIP PROFILE FOR
DOUBLE GLAZED
SYSTEMS
CODE:PA00188



ONE SIDE DOOR
LEVER LOCK PROFILE
FOR DOUBLE GLAZED
SYSTEMS
CODE:PA00184



TWO SIDE DOOR
LEVER LOCK PROFILE
FOR DOUBLE GLAZED
SYSTEMS
CODE:PA00186

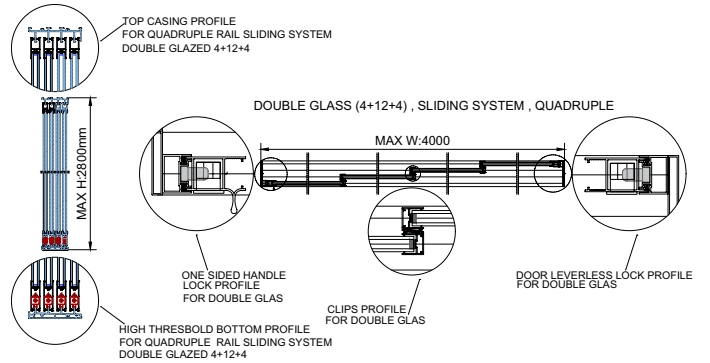
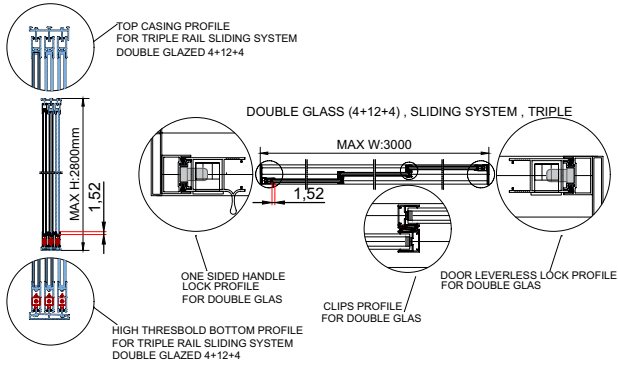
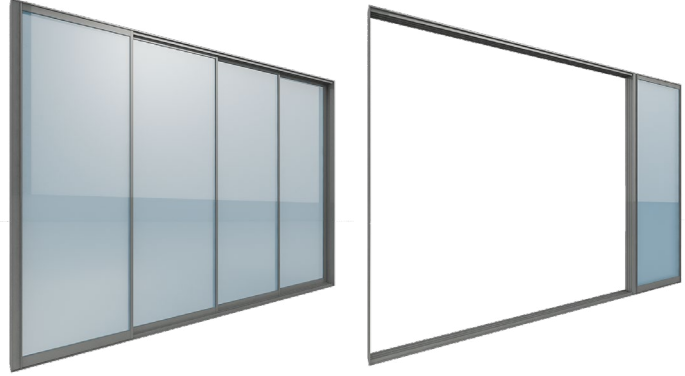
Slide Motion Plus





Slide Motion Plus

Dimensions in mm Boyutlar mm



Prices for sliding glass systems are calculated in m².
Please contact your sale representative for more details.
if height is under 250 cm for sliding glass, its height is calculated as 250 cm.

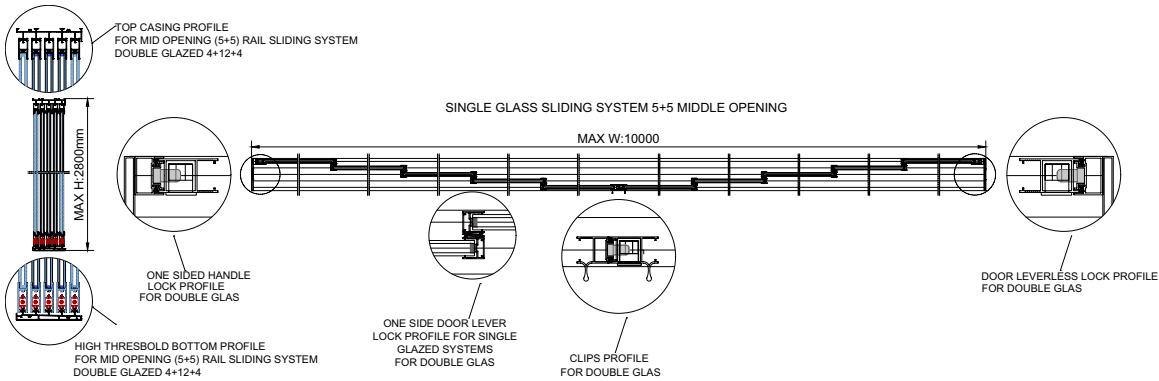
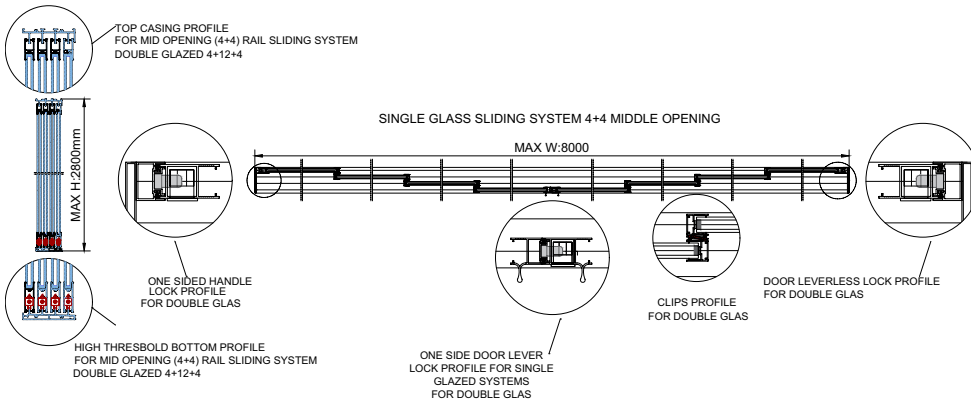
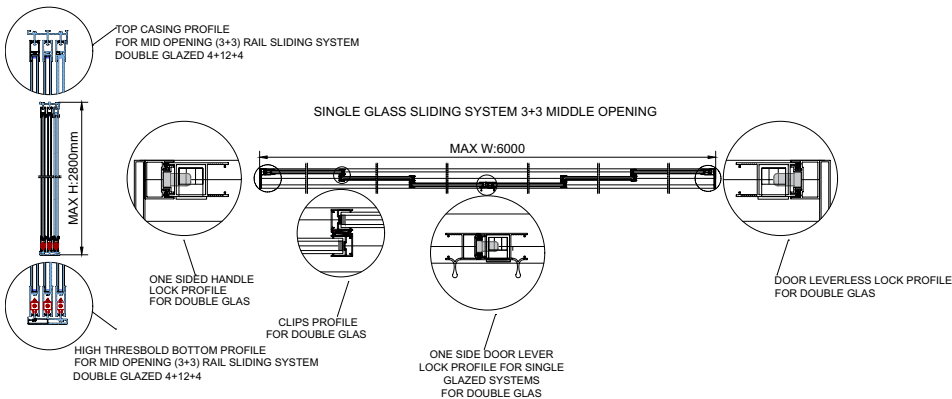
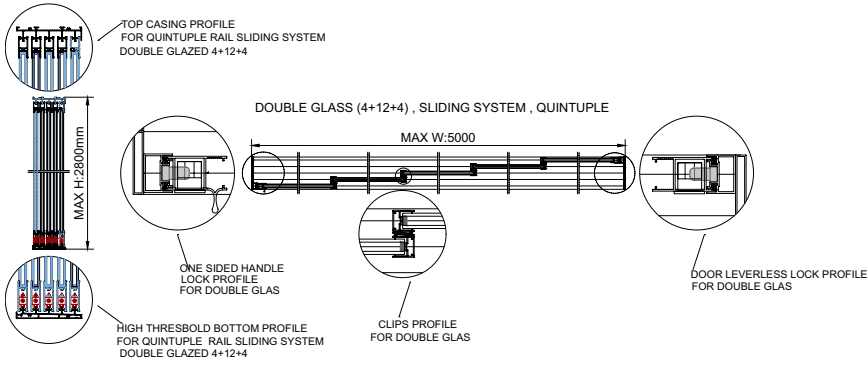
Sürgülü cam sistemleri fiyatları m² olarak hesaplanmıştır.
Daha fazla bilgi için lütfen satış temsilcinize danışın.
Sürgülü cam yüksekliği 250 cm'nin altında ise yüksekliği 250 cm olarak hesaplanır.

COLORS RENKLER

9016 1013 8017 9005 9006 7043 7016

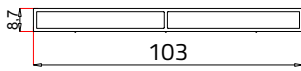


Other Colors +10%
Diğer Renkler +%10

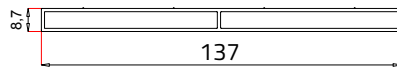


Slide Motion Plus

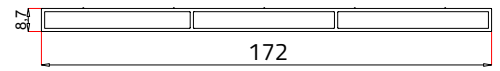
Dimensions in mm Boyutlar mm



SIDE CASING PROFILE FOR TRIPLE RAIL SLIDE CODE: PA00165

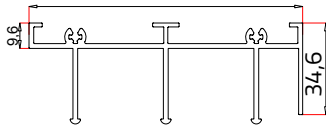


SIDE CASING PROFILE FOR QUADRUPLE RAIL SLIDE SYSTEM CODE: PA00168



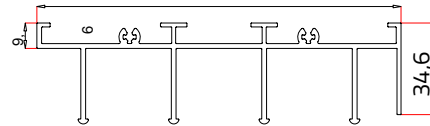
SIDE CASING PROFILE FOR QUINTUPLE RAIL SLIDE SYSTEM CODE: PA00171

103,3



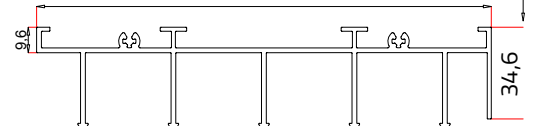
TOP CASING PROFILE FOR TRIPLE RAIL SLIDE SYSTEM CODE: PA00163

137,5

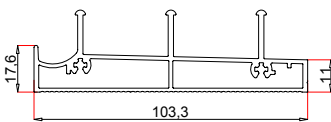


TOP CASING PROFILE FOR QUADRUPLE RAIL SLIDE SYSTEM CODE: PA00166

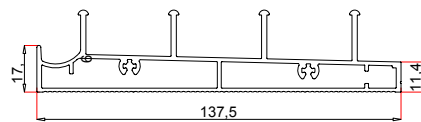
171,6



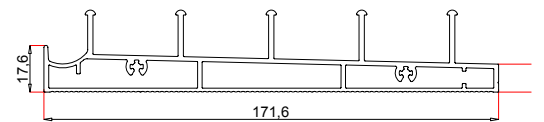
TOP CASING PROFILE FOR QUINTUPLE RAIL SLIDE SYSTEM CODE: PA00169



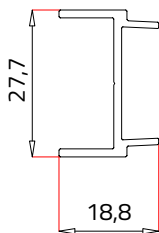
HIGH THRESHOLD BOTTOM PROFILE FOR TRIPLE SLIDE SYSTEM CODE: PA00164



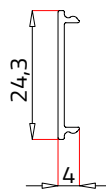
HIGH THRESHOLD BOTTOM PROFILE FOR QUADRUPLE RAIL SLIDE SYSTEM CODE: PA00167



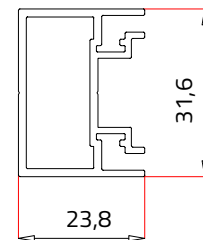
HIGH THRESHOLD BOTTOM PROFILE FOR QUINTUPLE RAIL SLIDE SYSTEM CODE: PA00171



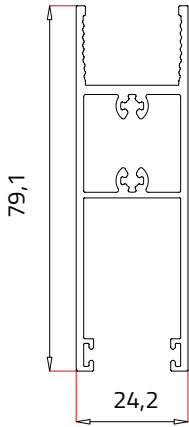
LOCKING ADAPTOR PROFILE CODE : PA00182



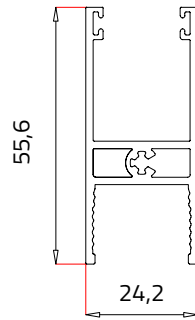
COVER FOR CLIPS PROFILE CODE : PA00181



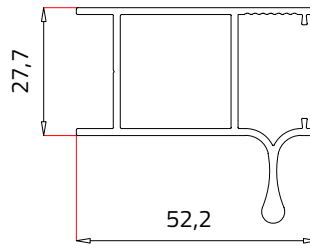
"U" PROFILE FOR WALL CASING PROFILE CODE:PA00172



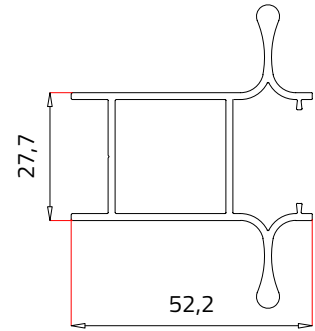
BOTTOM BASE
PROFILE FOR DOUBLE
GLAZED SYSTEMS
CODE:PA00189



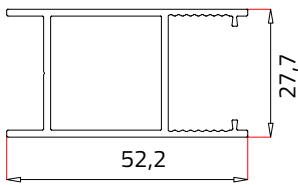
HIGH BASE PROFILE
FOR DOUBLE GLAZED
SYSTEMS
CODE:PA00190



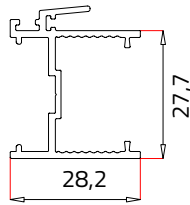
ONE SIDE DOOR
LEVER LOCK PROFILE
FOR DOUBLE GLAZED
SYSTEMS
CODE:PA00183



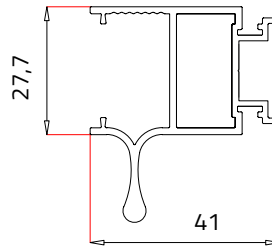
TWO SIDE DOOR
LEVER LOCK PROFILE
FOR DOUBLE GLAZED
SYSTEMS CODE:PA00185



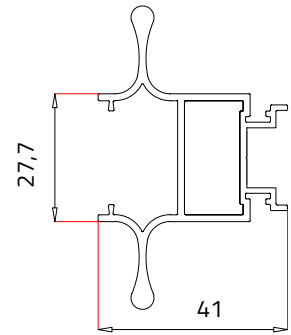
DOOR LEVERLESS
LOCK PROFILE FOR
DOUBLE GLAZED
SYSTEMS
CODE:PA00187



CLIP PROFILE FOR
DOUBLE GLAZED
SYSTEMS
CODE:PA00188



ONE SIDE DOOR
LEVER LOCK PROFILE
FOR DOUBLE GLAZED
SYSTEMS
CODE:PA00184



TWO SIDE DOOR
LEVER LOCK PROFILE
FOR DOUBLE GLAZED
SYSTEMS
CODE:PA00186

